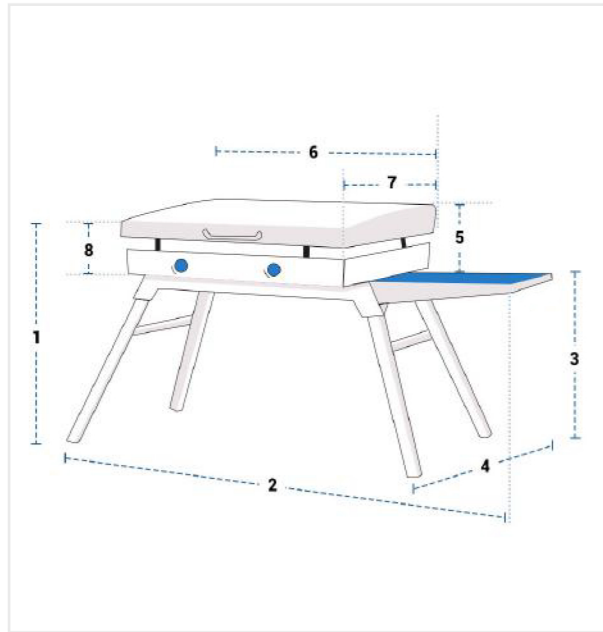


# How to Measure Custom Griddle Covers - Design 3

## Measurement Instruction

- ✓ Give exact measurement from edge to edge.
- ✓ We add 1" to 2" leeway on the given width/depth for easy pull-in and pull-out.
- ✓ The height dimensions will remain same as provided by you.



### Measurement (Inches)

|  |                      |                                 |                      |
|--|----------------------|---------------------------------|----------------------|
| 1. Total Height                                | <input type="text"/> | 2. Total Width                  | <input type="text"/> |
| 3. Height (Self to Ground)                     | <input type="text"/> | 4. Total Depth                  | <input type="text"/> |
| 5. Back Height of Griddle Hood                 | <input type="text"/> | 6. Width of Griddle Hood        | <input type="text"/> |
| 7. Depth of Griddle Hood From the Front Handle | <input type="text"/> | 8. Front Height of Griddle Hood | <input type="text"/> |

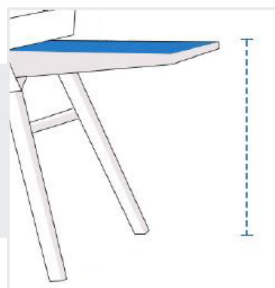
**1. Total Height:**  
Total Height of the Griddle



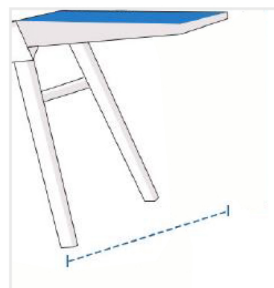
**2. Total Width:**  
Total Width of the Griddle



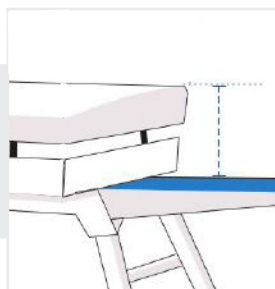
**3. Height (Self to Ground):**  
Height (Self to Ground) of the Griddle



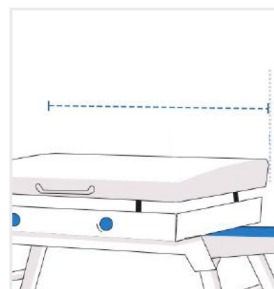
**4. Total Depth:**  
Total Depth of the Griddle



**5. Back Height of Griddle Hood:**  
Back Height of Griddle Hood of Griddle.

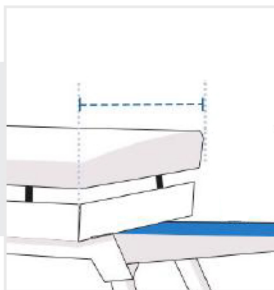


**6. Width of Griddle Hood:**  
Width of Griddle hood of Griddle.



## 7. Depth of Griddle Hood From the Front Handle:

Depth of Griddle Hood From the Front Handle of the Griddle



## 8. Front Height of Griddle Hood:

Front Height of Griddle Hood of the Griddle

